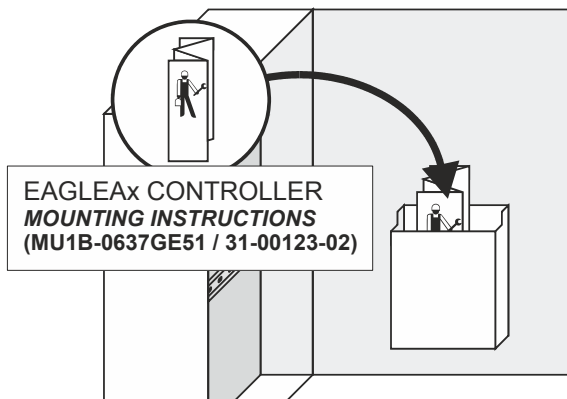


EAGLEx Controller

MOUNTING INSTRUCTIONS

Keep these instructions together with the device or with the equipment documentation!

0A: INFO!



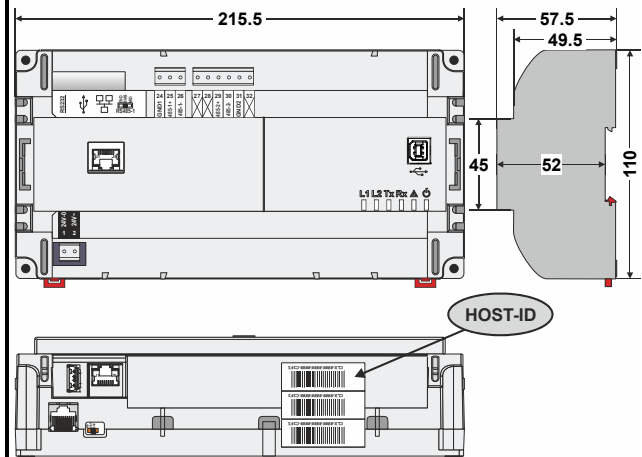
LICENSING INFORMATION

TO OBTAIN THE PURCHASED LICENSE, GO TO
www.niagara-central.com

AND THEN

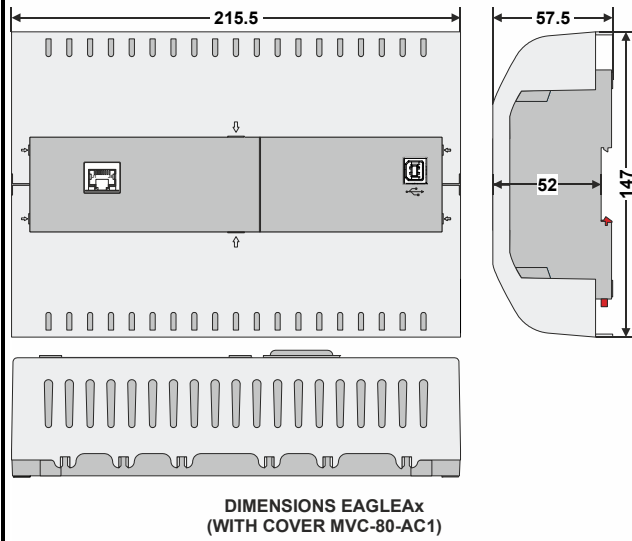
- 1) LOG IN,
- 2) ENTER YOUR HOST-ID, AND
- 3) DOWNLOAD THE LICENSE.

0B: DIMENSIONS EAGLEx (WITHOUT COVER)

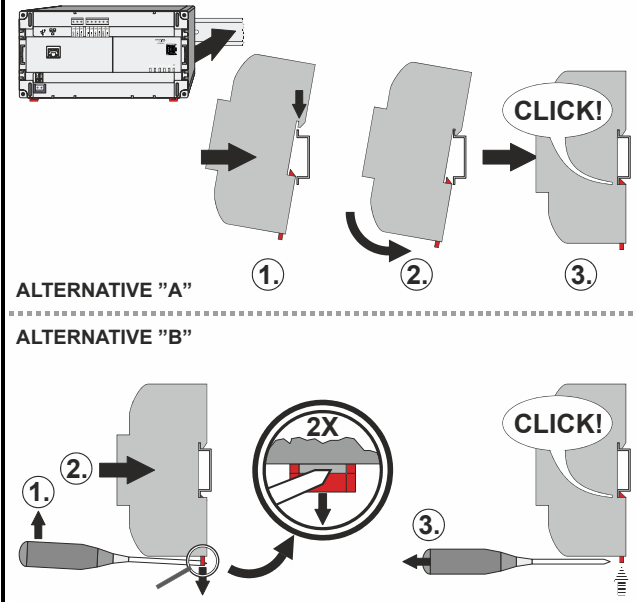


DIMENSIONS EAGLEx
(WITHOUT COVER MVC-80-AC1)

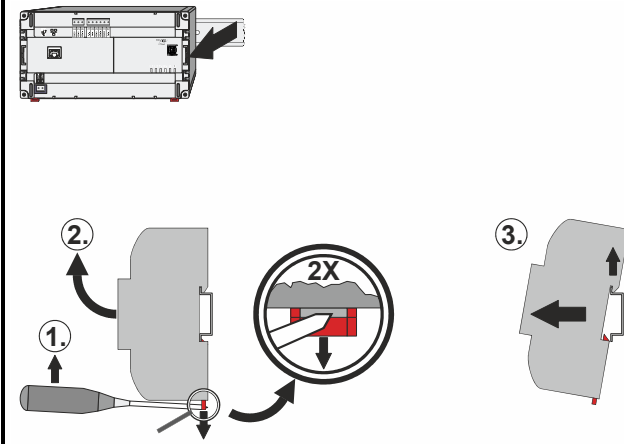
0C: DIMENSIONS EAGLE_x (WITH COVER)



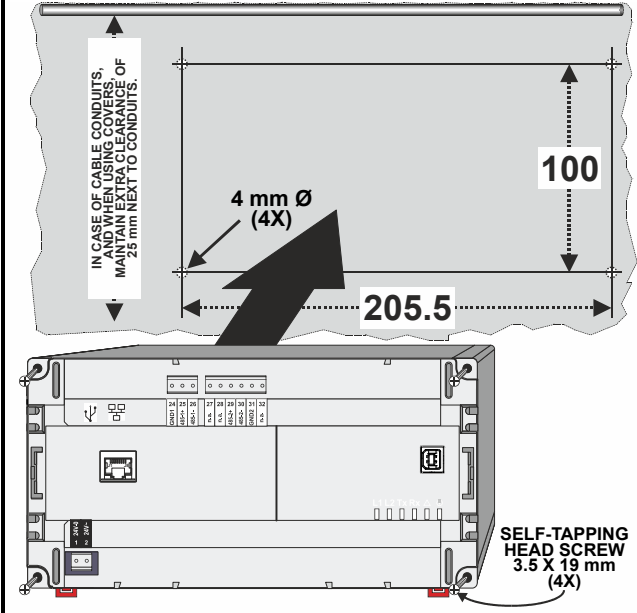
1A. DIN RAIL MOUNTING



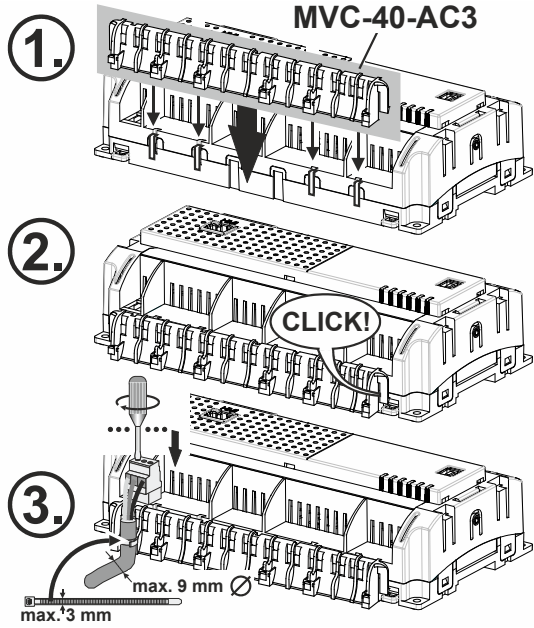
1B. DIN RAIL DISMOUNTING



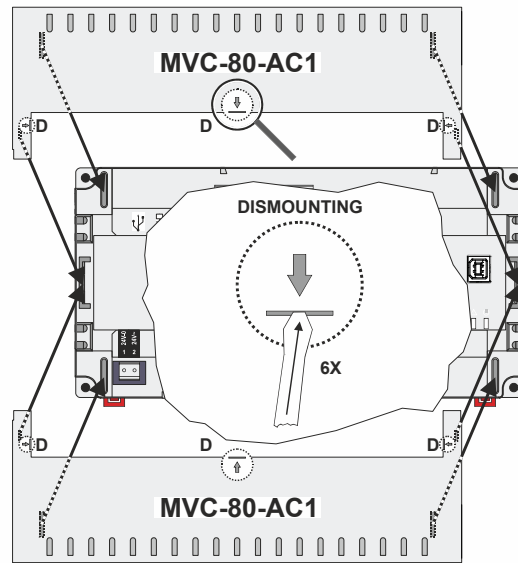
2. WALL MOUNTING



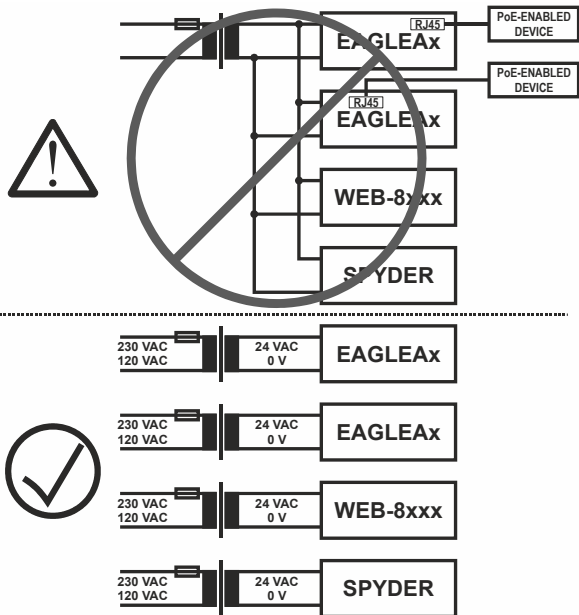
3. MOUNTING STRAIN RELIEF



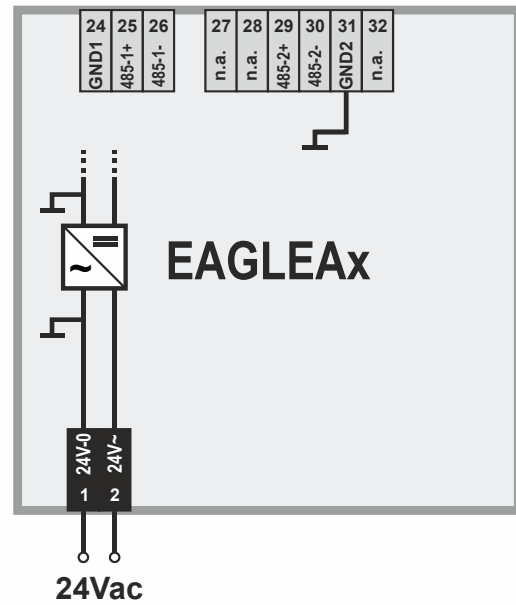
4. MOUNTING/DISMOUNTING COVERS



5A. WIRING



5B. WIRING




SPECIFICATIONS OF CONTROLLER

Power supply	19 ... 29 VAC, 50/60 Hz, or 20 ... 30 VDC
Power consumption	typically dc: 5 W; max. 6 W typically ac: 9 VA; max. 11 VA
Current consumption	typically dc: 210 mA; max. 240 mA typically ac: 370 mA; max. 410 mA
Ambient temperature	0 ... 40 °C / 32 ... 104 °F (wall-mounting) 0 ... 50 °C / 32 ... 122 °F (cabinet/door)
Storage temp.	-20 ... +70 °C / -4 ... +158 °F
Humidity	5 ... 95% r.h. non-condensing
Dimensions	See pictures 0B, 0C.
Degree of protection	IP20 (mounted on walls, with two accessory MVC-80-AC1 covers)
Fire class	V0

CABLE SPECS, PUSH-IN TERMINALS

plug gauge	
solid conductor H05(07) V-K	
stranded conductor H05(07) V-K	0.2 ... 1.50 mm ²
stranded conductor with wire end ferrules (w/o plastic collar)	
stripping length	10.0 +1.0 mm

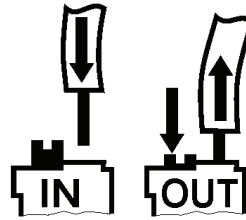
WEEE DIRECTIVE

WEEE: Waste Electrical and Electronic Equipment Directive	
	<ul style="list-style-type: none"> ▪ At the end of the product life, dispose of the packaging and product in an appropriate recycling center. ▪ Do not dispose of the device with the usual domestic refuse. ▪ Do not burn the device.

NETWORK SECURITY

Honeywell hereby expressly states that the EAGLEAx is not inherently protected against cyber attacks from the Internet and that it is therefore intended solely for use in private, protected networks.

WIRING PUSH-IN TERMINAL PLUGS



use **Cu** only

STANDARDS, APPROVALS, ETC.

Purpose of the device is: multifunctional non-safety control intended for HVAC in home (residential, commercial, and light-industrial) environments
Device meets EN 60730-1, EN 60730-2-9, UL60730, and UL916.
Independently mounted electronic control unit with fixed wiring.
Shock protection: Class II.
Pollution degree: 2.
Installation: Class 3
Rated impulse voltage: 300 V for SELV, 2500 V for relay outputs
Type of action: Type 1.C.
Software Class: A.
Ball-pressure test temperature: housing parts > 75 °C (167 °F) terminals > 125 °C (257 °F)
NOTE: Keep AC mains supply/load cables separate from signal wiring!

Manufactured for and on behalf of the Environmental & Energy Solutions Division of Honeywell Technologies Sàrl, Rolle, Z.A. La Pièce 16, Switzerland by its Authorized Representative:

Automation and Control Solutions

Honeywell
1985 Douglas Drive North
Golden Valley, MN 55422-3992
www.honeywell.com

Learn More

For more information on WEB-800 series controllers, call **1-800-466-3993** or visit buildingcontrols.honeywell.com

Printed in Germany.
Subject to change without notice.
MU1B-0637GE51 R0217A / 31-00123-02

Honeywell