

Honeywell

# E-Mon MultiMag™ Cold Water Meter

## SPECIFICATION DATA



**Materials:**

Body: ECO Brass, no lead  
Internals: Thermoplastic

**Pulse Output:** 6mA @ 12vdc

**Pulse Value:** 1/10gal

## APPLICATION

The MultiMag™ series water meters utilize multijet principles for accurate water measurement and are known for their simplicity, longevity and accuracy. The MultiMag™ is tested to the most recent AWWA C708 accuracy standards. The pulse output capability allows for the MultiMag™ to be used for remote reading. The MultiMag is intended for indoor, horizontal applications.

## FEATURES

- Meets AWWA C708 Accuracy
- Cold Meter Models
- Pulse Output
- ECO Brass - No Lead

## SPECIFICATIONS

Table 1. Model Numbers.

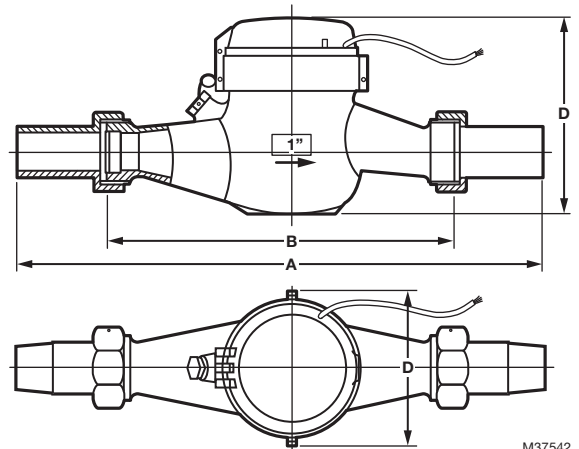
Model Number	Description
HCW-MMAG34NL	3/4" NPT, pulse output, connection set
HCW-MMAG1NL	1" NPT, pulse output, connection set
HCW-MMAG112NL	1-1/2" NPT, pulse output, connection set
HCW-MMAG2NL	2" NPT, pulse output, connection set

**Temperature:** Cold, 105° F

**Max Pressure:** 150psi

Table 2. Flow Rate.

GPM	3/4"	1"	1-1/2"	2"	% Error
MIN	0.5	0.75	1.5	2	3
MAX	30	50	100	160	1.5
CONTINUOUS	15	25	50	80	
RANGE	2-30	3-50	5-100	8-160	



M37542

Fig. 1. Dimensions.

Table 3. Dimensions.

	3/4"	1"	1-1/2"	2"
A	11.5"	15.6"	17.8"	21.0"
B	7.5"	10.75"	12.625"	15.25"
C	5.3"	5.3"	6.8"	6.8"
D	3.9"	3.9"	4.8"	4.8"
Weight	4 lbs.	5 lbs.	10 lbs.	14 lbs.



31-00164-01

## WATER METER COUPLING SETS



Fig. 2. Water meter coupling set.

Table 4. No-Lead Envirobrass Coupling Dimensions.

Meter Size	Coupling	Tailpiece	Tailpiece Threads	Coupling Nut Threads
Size	Size	Length	(D)	NPMSD (D)
3/4"	3/4"	2-1/2"	3/4"	1"
1"	1"	2-5/8"	1"	1-1/2"
1-1/2"	1-1/2"	2-7/8"	1-1/2"	2-1/4"
2"	2"	3"	2"	2-3/4"

By using this Honeywell literature, you agree that Honeywell will have no liability for any damages arising out of your use or modification to, the literature. You will defend and indemnify Honeywell, its affiliates and subsidiaries, from and against any liability, cost, or damages, including attorneys' fees, arising out of, or resulting from, any modification to the literature by you.

### Home and Building Technologies

In the U.S.:

Honeywell

715 Peachtree Street NE

Atlanta, GA 30308

customer.honeywell.com

# Honeywell

® U.S. Registered Trademark  
 © 2018 Honeywell International Inc.  
 31-00164-01 M.S. 07-18  
 Printed in United States