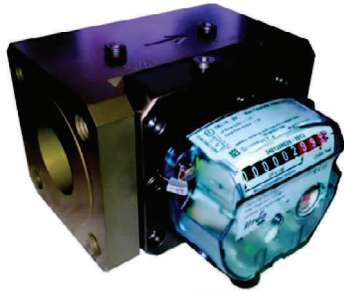


# Honeywell

# E-Mon Delta Compact Rotary Gas Meter

## SPECIFICATION DATA



## APPLICATION

The Delta Compact rotary meter is designed to measure natural gas with very high accuracy under low or irregular flow conditions. The Delta Compact's volumetric measurement principle allows it to be used in compact station designs without the need for straightening vanes or a long inlet piping run. Delta's metrological stability has been proven through decades of gas measurement.

Honeywell E-Mon's Delta Compact Rotary meter is a positive displacement style gas meter which employs counter-rotating rotors that drive a magnetically-coupled mechanical index. Its compact size and robust structure make it an ideal fit for many gas measurement applications.

The Delta meter consists of 5 main parts: Body, Two gear-synchronized, counter-rotating rotors, Lubricant cover, Magnetic coupler to connect rotors and index mechanism and the Index mechanism.

## FEATURES

**The Delta Compact - Rotary gas meter combines accuracy, durability, metrological stability and mounting versatility in one field-proven measurement instrument.**

- Tamper proof index housing
- Tool-free index orientation
- Magnetic index coupling
- Double low frequency pulse output
- Anodized aluminum for corrosion resistance
- Multi-position flow orientation capable
- Flanged 2" ANSI 150
- Meter is for indoor installations only

## SPECIFICATIONS

### Models:

Up to 800CFH/hr:	Up to 1500CFH/hr:
HGM-DC8C1	HGM-DC15M1
HGM-DC8C125	HGM-DC15M125
HGM-DC8C150	HGM-DC15M150
HGM-DC8C2	HGM-DC15M2
Up to 1000CFH/hr:	Up to 2000CFH/hr:
HGM-DC1M1	HGM-DC2M1
HGM-DC1M125	HGM-DC2M125
HGM-DC1M150	HGM-DC2M150
HGM-DC1M2	HGM-DC2M2

### Maximum Operating Condition:

Maximum Operating Pressure: 280 PSIG  
Operating Temperature Range: -22° to +140°F

## INDEX

- 9 digit odometer style
- 45° orientation
- Free rotating
- Reflecting disc on first drum
- Integrated optical disc for proving
- Double low frequency pulser output
- IP67 rating
- UV resistant
- Unit of measure: ft<sup>3</sup>

## PULSE OUTPUT

The Delta Compact meter is equipped with two Low Frequency (LF) pulse outputs, standard.

The LF transmitter consists of 2 dry reed switches, normally open, and actuated by a magnet located in the first odometer drum on the index register.

- Volume per pulse contact: ft<sup>3</sup> index; 1 ft<sup>3</sup>/pulse
- Hermetically sealed contacts: ft<sup>3</sup> index; 0.22 seconds
- Minimum pulse contact time



31-00168-01

# DELTA COMPACT

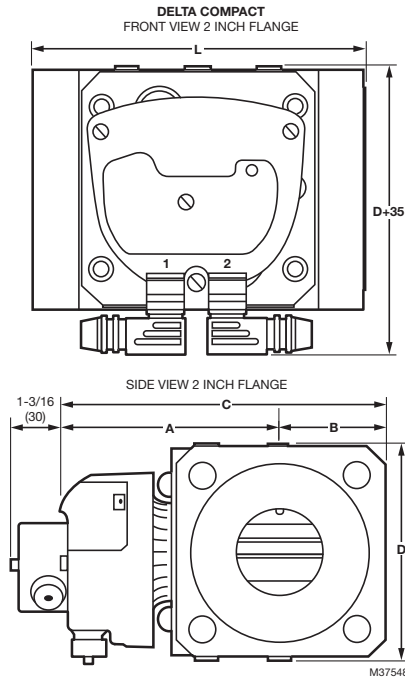


Fig. 1. Front and side view 2" flange.

## Typical Accuracy Curve

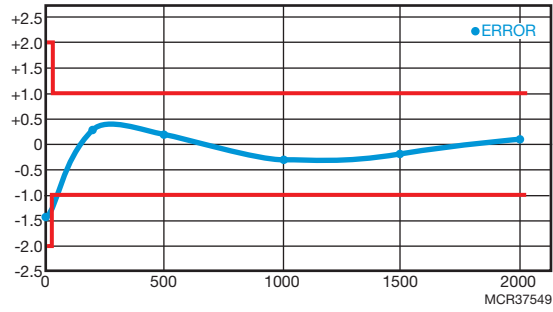


Fig. 2. Typical accuracy curve.

## Pressure Drop

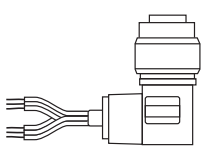
Table 1.

CFH	M <sup>3</sup> /h	1-1/2" NPT	2" FL
		"w.c	"w.c
200	5.7	0.01	0.01
400	11.3	0.05	0.04
800	22.7	0.20	0.18
1000	28.3	0.28	0.31
1500	42.5	0.71	0.63
2000	56.6	1.27	1.11

Table 2.

Size	QMAX ACFH	SIZE (inches)	Min Start Flow Rate (ACFH)	Rangeability +/-1%	Rangeability +/-2%	PSIG Loss ΔP @ QMAX "WC	LF Pulse Value CF	L Flange to Flange	A	B	C	D	Weight (lbs)
8C	800	2.00	1	32	52	0.18	1	6.75"	4.96"	2.36"	7.32"	4.96"	13
1M	1000	2.00	1	40	65	0.31	1	6.75"	4.96"	2.36"	7.32"	4.96"	13
1.5M	1500	2.00	1	60	97.5	0.63	1	6.75"	4.96"	2.36"	7.32"	4.96"	13
2M	2000	2.00	1	80	130	1.11	1	6.75"	4.96"	2.36"	7.32"	4.96"	13

## Pulse Cable



The pulse cable is required to connect to a building management system (BMS/EMS) and or a remote totalizer/counter.

The connection for the pulse outputs on the Delta meter is through a connector on the meter. This is a six pin binder connector on the face of the meter. Standard pulse connection is made with pins 5 and 6 or Red (+) and Blue (-) colored wires.

By using this Honeywell literature, you agree that Honeywell will have no liability for any damages arising out of your use or modification to, the literature. You will defend and indemnify Honeywell, its affiliates and subsidiaries, from and against any liability, cost, or damages, including attorneys' fees, arising out of, or resulting from, any modification to the literature by you.

## Home and Building Technologies

In the U.S.:

Honeywell

715 Peachtree Street NE

Atlanta, GA 30308

customer.honeywell.com

# Honeywell

® U.S. Registered Trademark  
© 2018 Honeywell International Inc.  
31-00168-01 M.S. 08-18  
Printed in United States