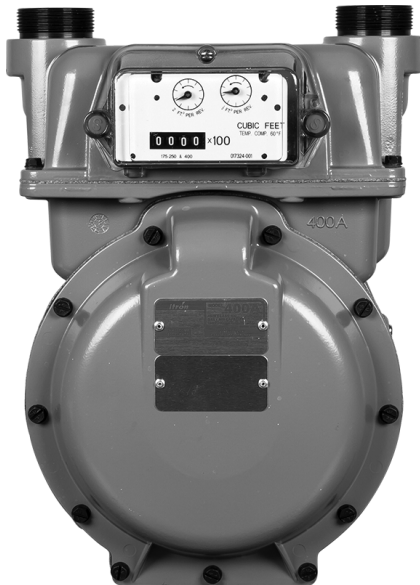


Honeywell

E-Mon 400A Series Gas Meter with Pulse Output

SPECIFICATION DATA



APPLICATION

The 400A series meters are 4 chamber, positive displacement gas meters for loads up to 400 CuFt/hr. Long life and low maintenance are assured by a self-lapping orbital valve and a one-piece seamless diaphragm.

Compact design and light weight make these meters an excellent choice for new or retrofit applications. Typical use is in small to medium commercial and industrial applications.

Each meter is shipped with a connection kit.

These meters are available in 1", 1.25", and 1.5" sizes.

The 400A series meters are suitable for indoor and outdoor installation. For indoor use the non-temperature compensated meter (NTC) (standard configuration). For outdoor use temperature compensating meters (TC).

FEATURES

- 3-chamber design
- Wearless orbital valve
- One piece, seamless, convoluted diaphragm
- Lubrication-free bearings
- EZ-VU Adjustment Port
- Parts commonality
- Instrumentation compatible
- Easy Turn (ET) top option for simple installation
- Lightest 400 class meters
- Retrofits into any 400 installation
- Easy handling
- Long life
- AMR/AMI Compatible / Meters are equipped with pulse output.
- Pulse value: 1 CuFt per pulse

The compact performer for light commercial metering
E-Mon's 400A meter is the most compact and lightweight 400-class meter on the market today. Maintaining the use of a wearless orbital valve, single convolution diaphragms and lubrication free bearings, the 400A delivers maximum initial and sustained accuracy.

Designed to fit

With 8-1/4" center-to-center hubs, and with a reduced height of 14.7" the 400A can replace any existing 400-class meter with no need for expensive, time-consuming piping rework.

Ideally suited to light commercial and high-capacity domestic metering requirements, the E-Mon 400A offers:

- Lightest, narrowest 400-class meter on the market
- Fewer moving parts than any other 400-class meter



31-00167-01

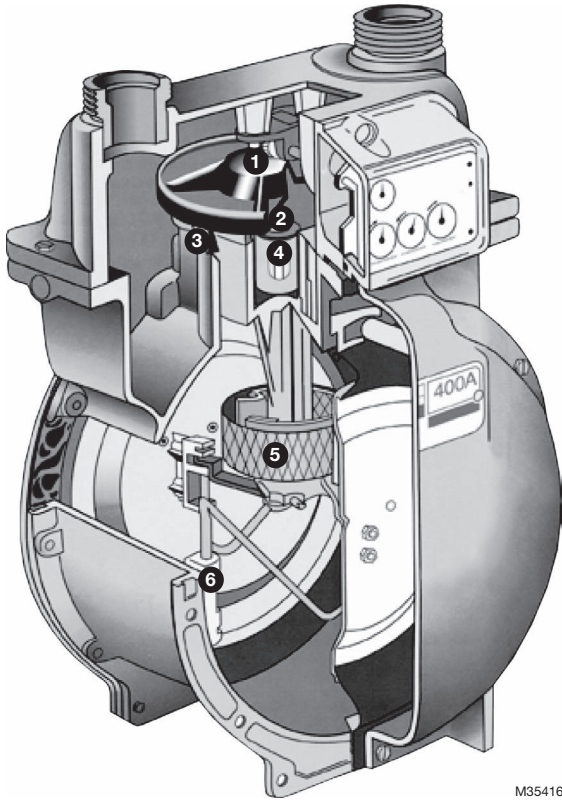


Fig. 1. 400A internal features.

1. **Hex bushing:** In the valve cover to provide self alignment and ensure consistent orbiting of the valve cover.
2. **Web free valve seat:** Enables mainshaft and tangent crank to be replaced without removing the valve seat.
3. **Mainshaft and tangent crank:** One-piece construction minimizing assembly variations.
4. **Lubrication-Free bearings:** Ensure long maintenance free operation.
5. **Carrier bracket:** Engineered with tongue and groove design allowing for consistent and precise positioning of wires and reducing wire bending adjustment.
6. **Temperature compensation (optional):** Located in the main measurement chamber for more prompt.

SPECIFICATIONS

Table 1. Model Numbers

Non-Temperature Compensated	
1"	HGM-400ATC30LT1
1.25"	HGM-400ANTC30LT125
1.5"	HGM-400ANTC45LT15
Temperature Compensated	
1"	HGM-400ATC30LT1
1.25"	HGM-400ATC30LT125
1.5"	HGM-400ATC45LT15

Meter Capacity (CFH Natural Gas): 400 @ .5" w.c. Diff.
Hub Center-to-Center: 8-1/4"
Hub Sizes: 20 LT, 30 LT, 45 LT, #4 Sprague
Meter Type: (TC) Temperature Compensated or (NTC) Non-Temperature Compensated
Units: Imperial (Cubic Feet, ft³) or Metric (Cubic Meters, m³)
Index Drive:
 2 ft³/revolution
 50 cubic decimeters/revolution
Proving / Test Dials:
 ft³ - 1/2' and 2' Proving Dials
 m³ - 10 dm³ and 50 dm³ Proving Dials
Tangent Crank:
 9 revolutions/ft³ or .111 ft³/revolution
 3.2 revolutions/dm³ or 2 liters/revolution
Index: 4 Digit Direct Read (ft³ - Standard Pressure)
Meter M.A.O.P.: 10 PSIG
Meter Operating Temperature Range:
 -30°F to +120°F
 -34°C to +49°C

Surface Treatment: ASA 49 Gray Polyester Powder Coat

Approvals:

ANSI B109.1
 Industry Canada AG-0393
 ANSI B10State of New York, Dept. of Public Service 91-G-0507, 96-G-08859.1

Dimensions: See Fig. 2

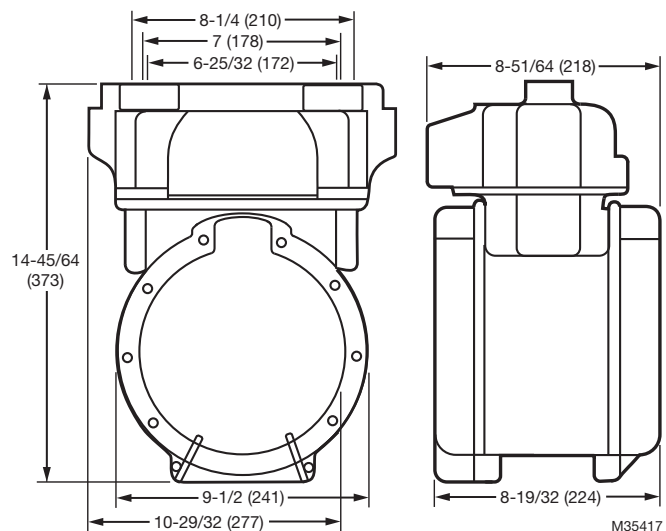


Fig. 2. Dimensions in inches (mm).

Capacity & Pressure Loss*

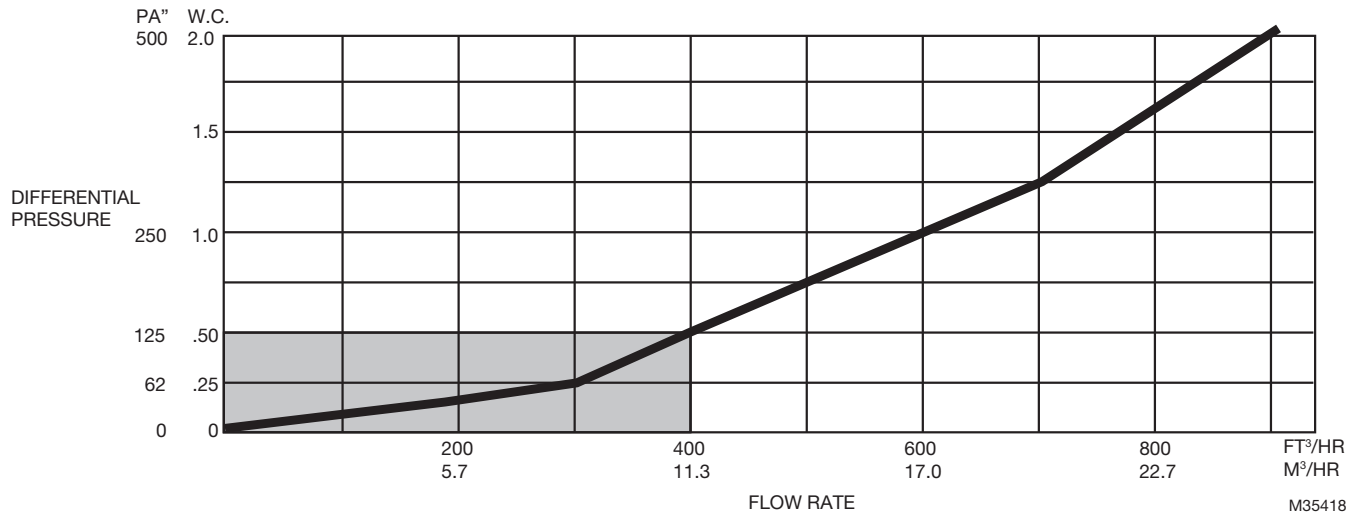


Fig. 3. 400A Capacity and Pressure Loss

Accelerated Life Test*

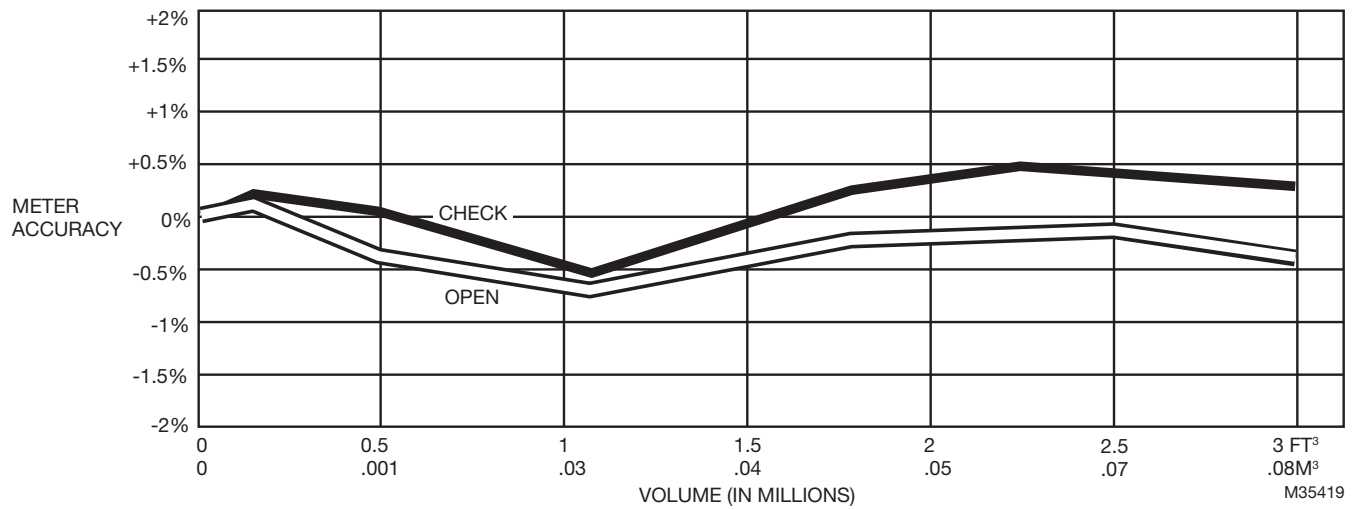


Fig. 4. 400A Running at 800 ft³/hr (22.6 m³/hr).

*Individual meter performance may vary

By using this Honeywell literature, you agree that Honeywell will have no liability for any damages arising out of your use or modification to, the literature. You will defend and indemnify Honeywell, its affiliates and subsidiaries, from and against any liability, cost, or damages, including attorneys' fees, arising out of, or resulting from, any modification to the literature by you.

Home and Building Technologies

In the U.S.:

Honeywell

715 Peachtree Street NE

Atlanta, GA 30308

customer.honeywell.com

® U.S. Registered Trademark
© 2018 Honeywell International Inc.
31-00167-01 M.S. 07-18
Printed in United States

Honeywell