

Honeywell

E-Mon 250 Series Gas Meter with Pulse Output

SPECIFICATION DATA



FEATURES

- The 250 series is a 4 chamber diaphragm type gas meter.
- Its compact size, light weight, long life, high accuracy and maintenance free operation make it a perfect choice for retrofit or new applications.
- This meter is ideally suited to light commercial or larger residential use.
- Meters are equipped with pulse output for interfacing with interval data recorders.
- The 250 is for loads up to 250 CuFt/Hr. These meters can accommodate pipe sizes of 3/4" to 1".
- The last digits in the model numbers indicate the pipe size.
- The meter is shipped complete with a connection kit. The 250 series meters do not require power to operate.
- For indoor use the meters are non-temperature compensated (NTC).
- For outdoor use we provide temperature compensated meters (TC).
- While the 250 series is normally used for natural gas, it can also be used to monitor many other common gases. Contact Honeywell E-Mon for specification details for other gas types.

SPECIFICATIONS

Models:

Non-Temperature Compensated Models:

HGM-250NTC20LT75

HGM-250NTC20LT1

Temperature Compensated Models:

HGM-250TC20LT75

HGM-250TC20LT1

Index: 4-digit direct read

Units: Cubic Feet

Meter Maximum Allowable Operating Pressure: 5 psi

Hub Sizes: Sprague #1A, 20LT

Surface Treatment: ASA 49 Gray polyester powder coating

Index Drive: 2 cubic ft/revolution

Case: Die cast aluminum

Accuracy: +/- 1% over entire flow range

Pulse Value: 1 Cubic Ft/pulse

Sample of Approvals:

ANSI B109.1

Industry Canada AG-0393

State of New York, Dept. of Public Service 97-G-1488

Maryland PSC COMAR 20.55.07.02

California Bureau of Weights & Measures



31-00166-01

Dimensions

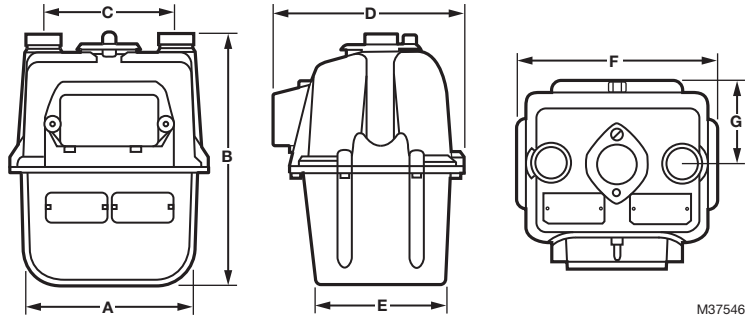


Fig. 1. Dimensions.

Table 1. Dimensions.

A	7.7"
B	11.3"
C	6.0"
D	8.8"
E	6.0"
F	9.1"
G	3.9"

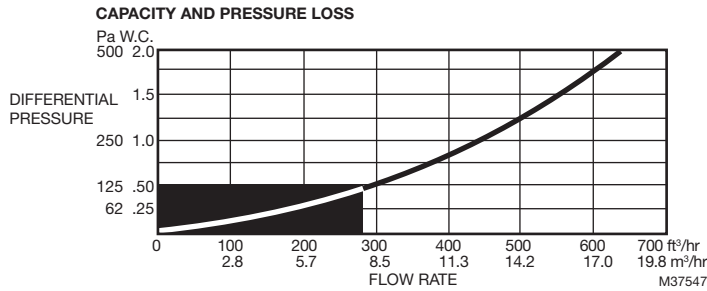


Fig. 2. Capacity & pressure loss chart.

By using this Honeywell literature, you agree that Honeywell will have no liability for any damages arising out of your use or modification to, the literature. You will defend and indemnify Honeywell, its affiliates and subsidiaries, from and against any liability, cost, or damages, including attorneys' fees, arising out of, or resulting from, any modification to the literature by you.

Home and Building Technologies

In the U.S.:

Honeywell

715 Peachtree Street NE

Atlanta, GA 30308

customer.honeywell.com

Honeywell

® U.S. Registered Trademark
© 2018 Honeywell International Inc.
31-00166-01 M.S. 08-18
Printed in United States